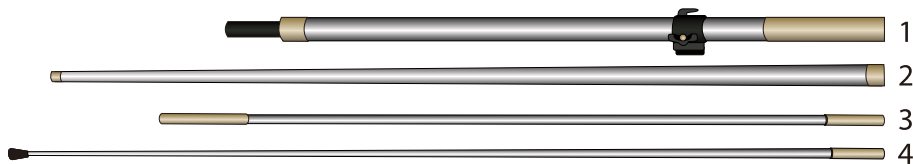
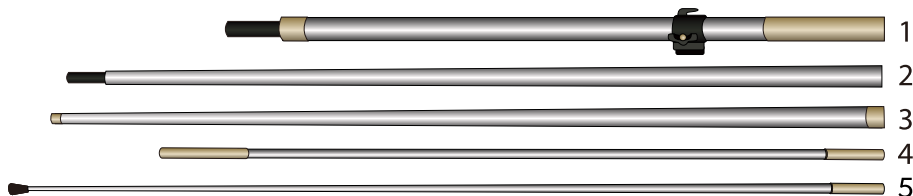


# XL Feather Flag & Pole Set Instructions

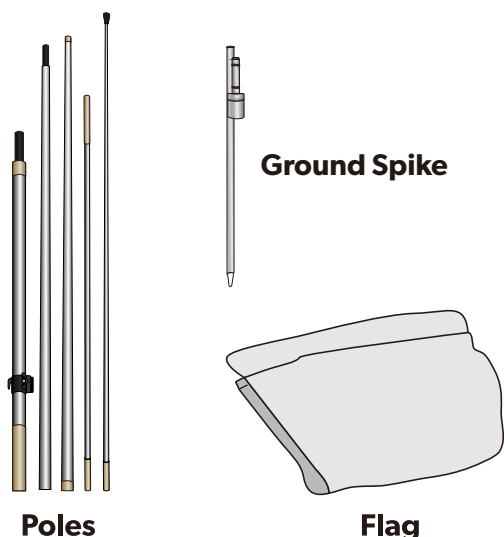
## 9ft XL Feather Flag



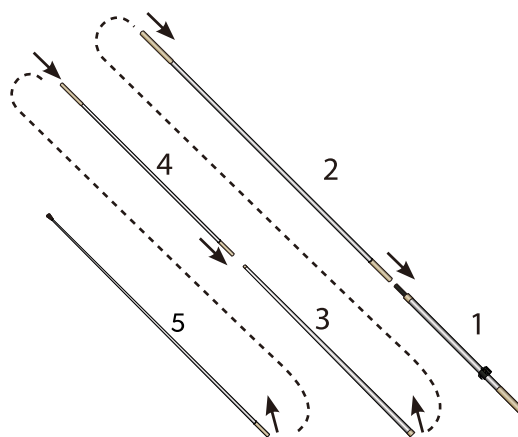
## 12ft XL Feather Flag



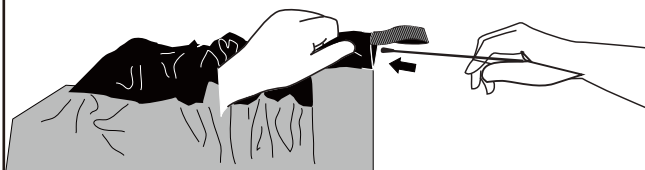
**Step 1:** Place all parts on a clean flat surface



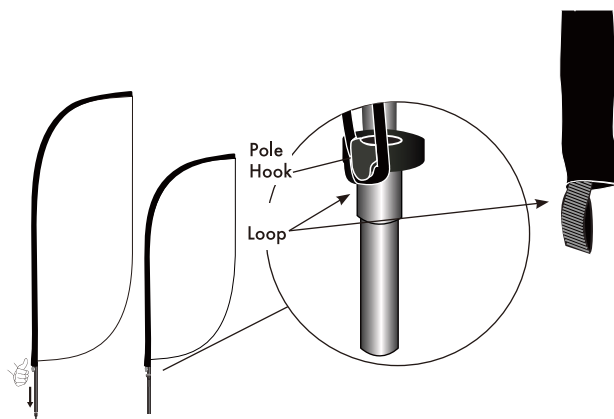
**Step 2:** Connect all poles by inserting them into each other, starting from the top. (Pole 4 → Pole 3 → Pole 2 → Pole 1 → → Base. **Note: NO POLE 2 for 9ft ver.**)



**Step 3:** Carefully insert the top end of the assembled poles into the pole pocket on flag. Push the pole through as far as it will go until it hits the end. **DO NOT FORCEFULLY PUSH THE POLE OR IT COULD SNAP.**



**Step 4:** Locate the pole hook located on the bottom pole. Raise the Hook until you can attach the loop at the bottom of the flag. Apply firm tension and tighten hook in place.



**Note: Keep product clear from trees, poles, buildings or any other obstruction as it will cause premature wear.**

# XL Feather Flag & Pole Set Instructions



Ground Spike

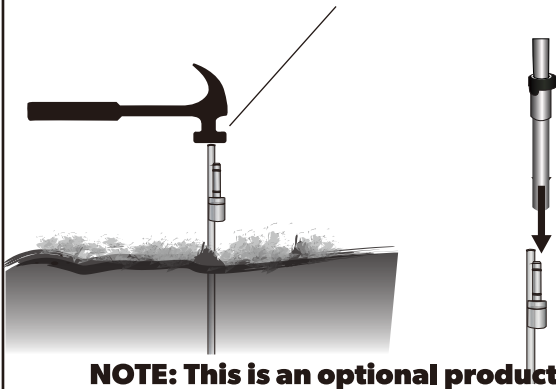


Carrying Case

## Optional Ground Spike

Hammer the Spike Base into the ground at desired location & install the flag onto rotating mount

**MAKE SURE YOU HAMMER THE BLUNT END OF THE SPIKE AND NOT THE ROTATING FLAG MOUNTING POINT**



## Optional Carrying Case

We highly recommend using our optional Premium Carrying Case for storage & Transportation of your flags.



**NOTE: This is an optional product**

**Store all items in a cool dry location away from direct sunlight .  
To Clean, wipe with damp cloth. Do not iron or dry clean the flags.**