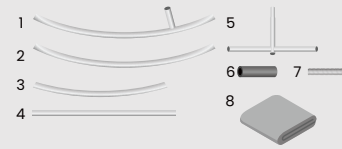


12' Trade Show Tower

Assembly Instructions

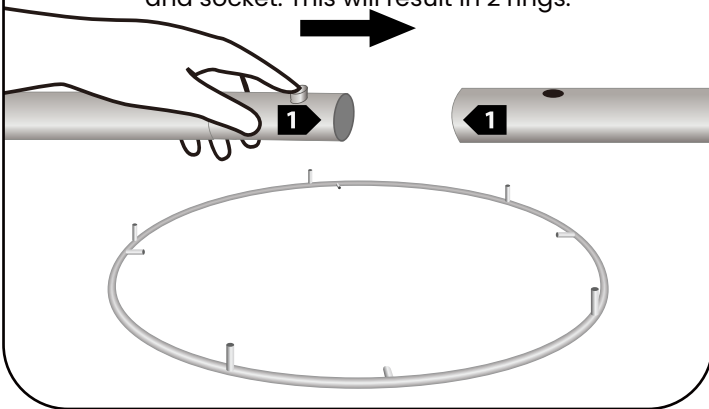
Rounded Bar Components

- | | |
|-----------------------------|------------------------|
| 1. Rounded Bars with Clicks | 5. Central Crossmember |
| 2. Rounded Bars | 6. Bolt Sockets |
| 3. Rounded Vertical Bars | 7. Bolts |
| 4. Horizontal Bars | 8. Graphic |



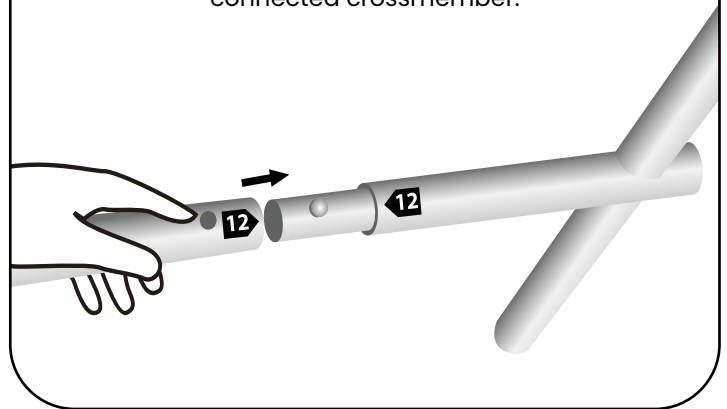
1 Assemble The Frame

Connect each of the 2 banner support rings together. Each of these rings have 10 outer ring parts. Joints should be connected by paring their numbered pipe and socket. This will result in 2 rings.



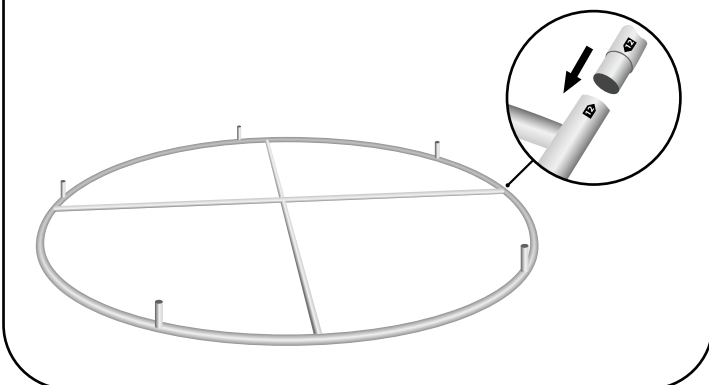
2 Assemble The Frame

Connect banner support ring central crossmember. Joints should be connected by paring their numbered pipe and socket. This will result in a connected crossmember.



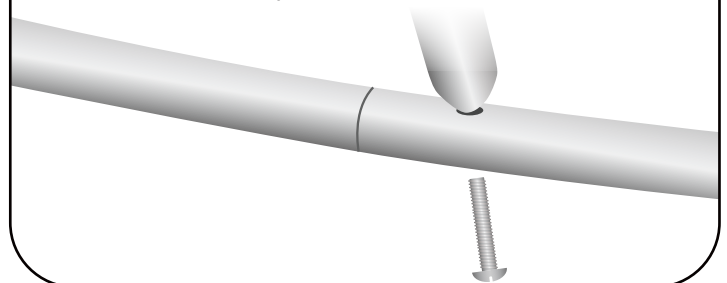
3 Assemble The Frame

Place the connected banner ring crossmember inside the top ring. And connect the bolt sockets to each of the 4 ends. Joints should be connected by paring their numbered pipe and socket.



4 Assemble The Frame

Construct each of the vertical bars by pairing their numbered pipe and socket and adding a bolt socket to each end. connecting a bolt socket to each end. Joints should be connected by paring their numbered pipe and socket. Then connect all 4 of the curved uprights the bottom banner support ring with the provided bolts.



Storage & Care:

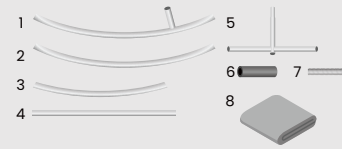
Store in a cool dry location. Clean hardware with a damp cloth. Machine wash the graphics in cold water on a gently cycle. Air dry only. Use a steamer for wrinkles. Never dry-clean.

12' Trade Show Tower

Assembly Instructions

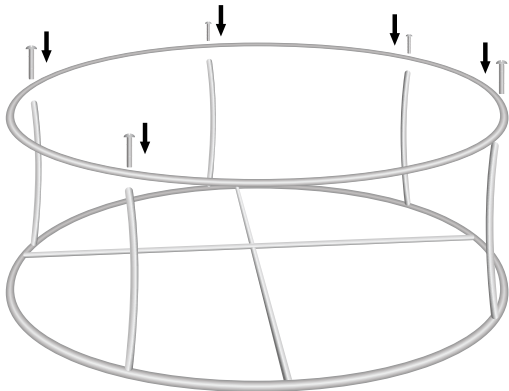
Rounded Bar Components

- 1. Rounded Bars with Clicks
- 2. Rounded Bars
- 3. Rounded Vertical Bars
- 4. Horizontal Bars
- 5. Central Crossmember
- 6. Bolt Sockets
- 7. Bolts
- 8. Graphic



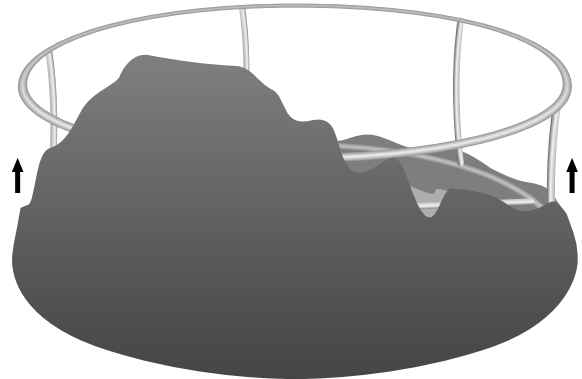
5 Assemble The Frame

Set the bottom banner support ring onto the vertical bars. Attach the top ring to each socket using the provided bolts.



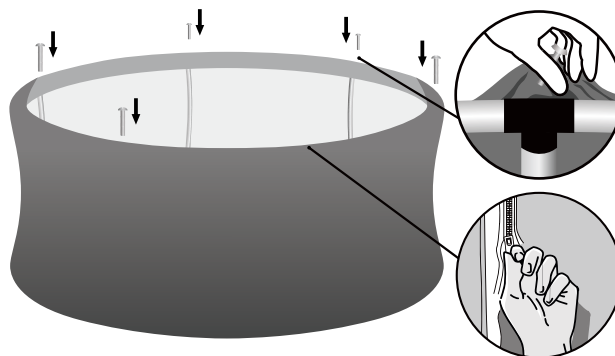
6 Install The Graphic

Flip the banner support ring over so that the bottom ring is up. Unzip the graphic and slip it over the bottom ring. Zip the graphic closed around the top ring.



7 Install The Graphic

Attach the connected banner ring crossmember to the bottom ring with the provided bolts.



Storage & Care:

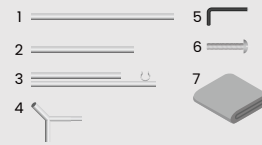
Store in a cool dry location. Clean hardware with a damp cloth. Machine wash the graphics in cold water on a gently cycle. Air dry only. Use a steamer for wrinkles. Never dry-clean.

12' Trade Show Tower

Assembly Instructions

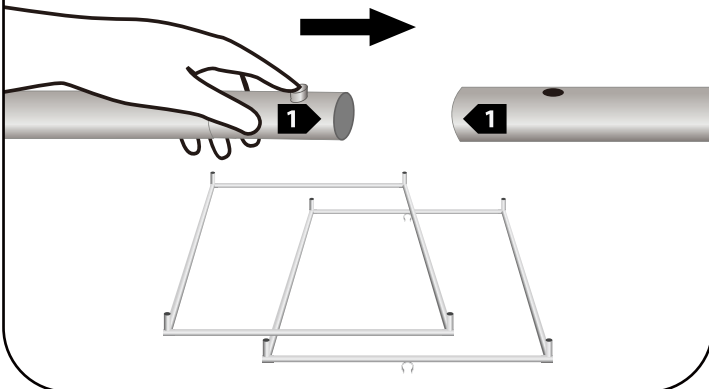
Tower Components

- 1. Vertical Bars
- 2. Horizontal Bars
- 3. Bars with Support Rings
- 4. Corner Brackets
- 5. Allen Wrench
- 6. Bolts
- 7. Graphic



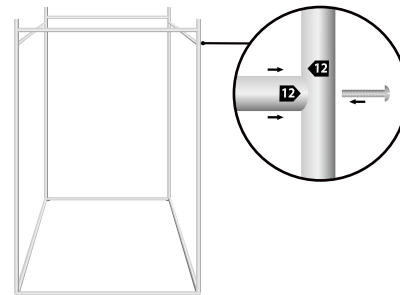
8 Assemble The Frame

Connect the top and bottom bars. Joints should be connected by pairing their numbered pipe and socket. Each corner will use one of the 8 plastic corner brackets. This will result in the top and bottom frames.



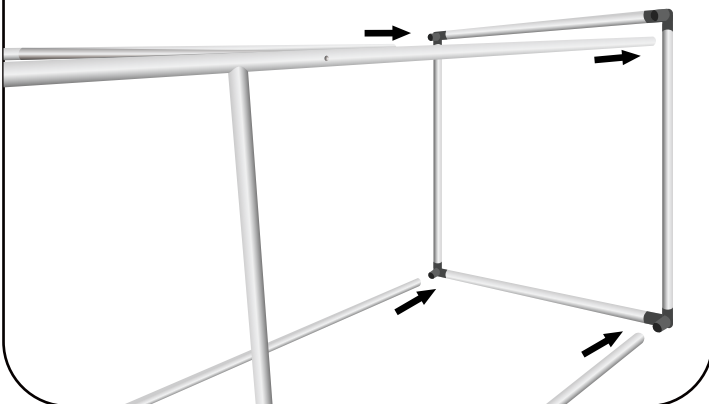
9 Assemble The Frame

Assemble the horizontal and vertical bars. Joints should be connected by pairing their numbered pipe and socket. Connect the vertical bars to the bottom assembly's 3 way plastic connector. Connect each horizontal bar to the center point of the vertical with the provided bolts.



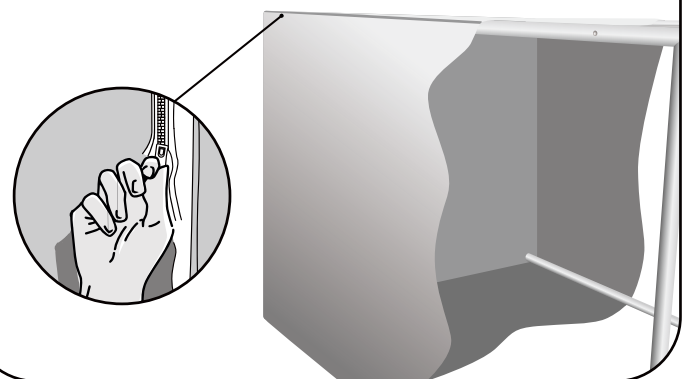
10 Assemble The Frame

Tip the assembled tower on its side. And connect the top assembled frame.



11 Install The Graphic

Unzip the bottom of the graphic sleeve and stretch it over the top of the tower. Pull the sleeve down to the bottom of the tower. Zip the Bottom of the Tower sleeve closed.



Storage & Care:

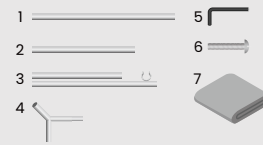
Store in a cool dry location. Clean hardware with a damp cloth. Machine wash the graphics in cold water on a gently cycle. Air dry only. Use a steamer for wrinkles. Never dry-clean.

12' Trade Show Tower

Assembly Instructions

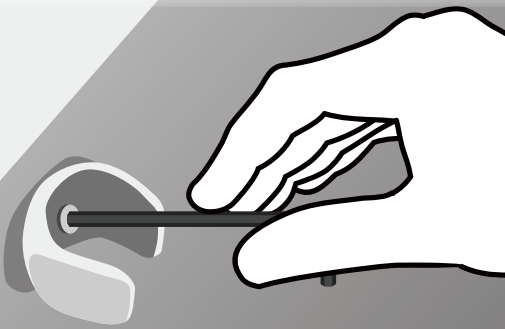
Tower Components

- 1. Vertical Bars
- 2. Horizontal Bars
- 3. Bars with Support Rings
- 4. Corner Brackets
- 5. Allen Wrench
- 6. Bolts
- 7. Graphic



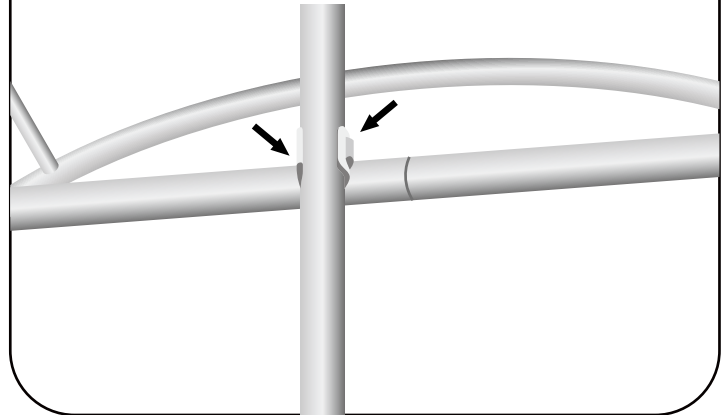
12 Install The Graphic

Attach the banner support rings with the provided bolts to the center of each side of the tower's top.



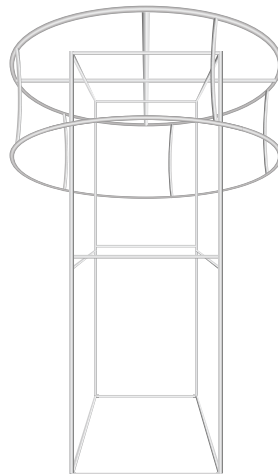
13 Install The Tower

Connect the clips at the center of each side of the top assembly to the cross members of the banner support rings.



14 Install The Tower

Tip the tower into place.



Storage & Care:

Store in a cool dry location. Clean hardware with a damp cloth. Machine wash the graphics in cold water on a gently cycle. Air dry only. Use a steamer for wrinkles. Never dry-clean.