

Tension Fabric Header

Assembly Instructions



(2) Side Poles



(2) Top & Bottom Poles



(2) Short Clamps



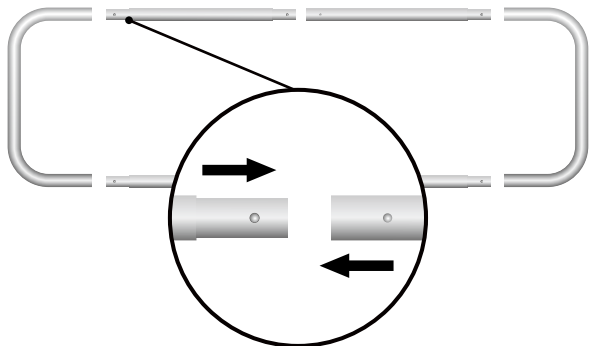
(1) Allen Key



(1) Header Graphic

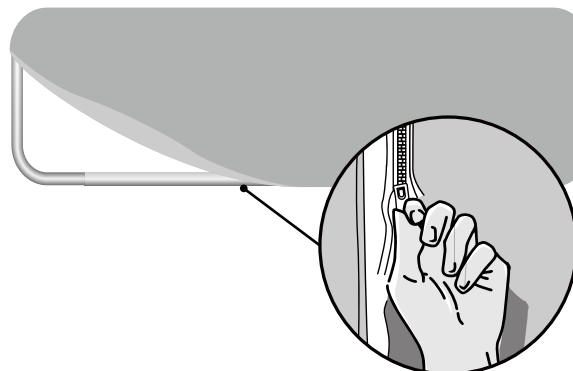
1 Assemble the Frame

Connect the poles by matching the numbers.

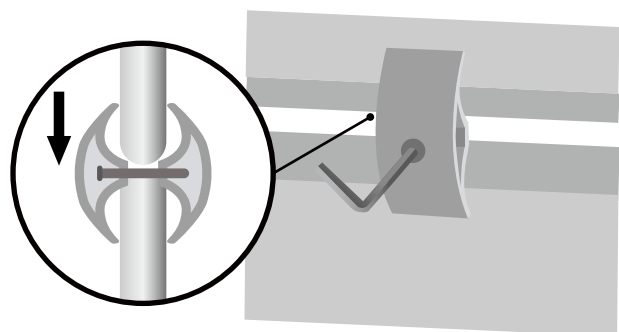


2 Install the Graphic

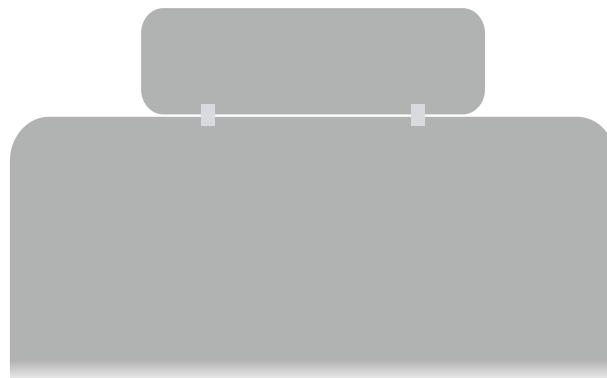
Carefully pull the graphic print over the frame, ensuring both sides are pulled down at the same time.



- 3** Lay the header and backdrop flat on the floor. Attach the Header to Backdrop by aligning the header to the desired position on the backdrop and locking into place with the short clamps. (use allen key to tighten everything down)



- 4** Carefully lift the backdrop and with header back to the standing position.



Storage & Care:

Store in a cool dry location. Clean hardware with a damp cloth. Machine wash the graphics in cold water on a gently cycle. Air dry only. Use a steamer for wrinkles. Never dry-clean.