

Table Top Banner

Assembly Instructions

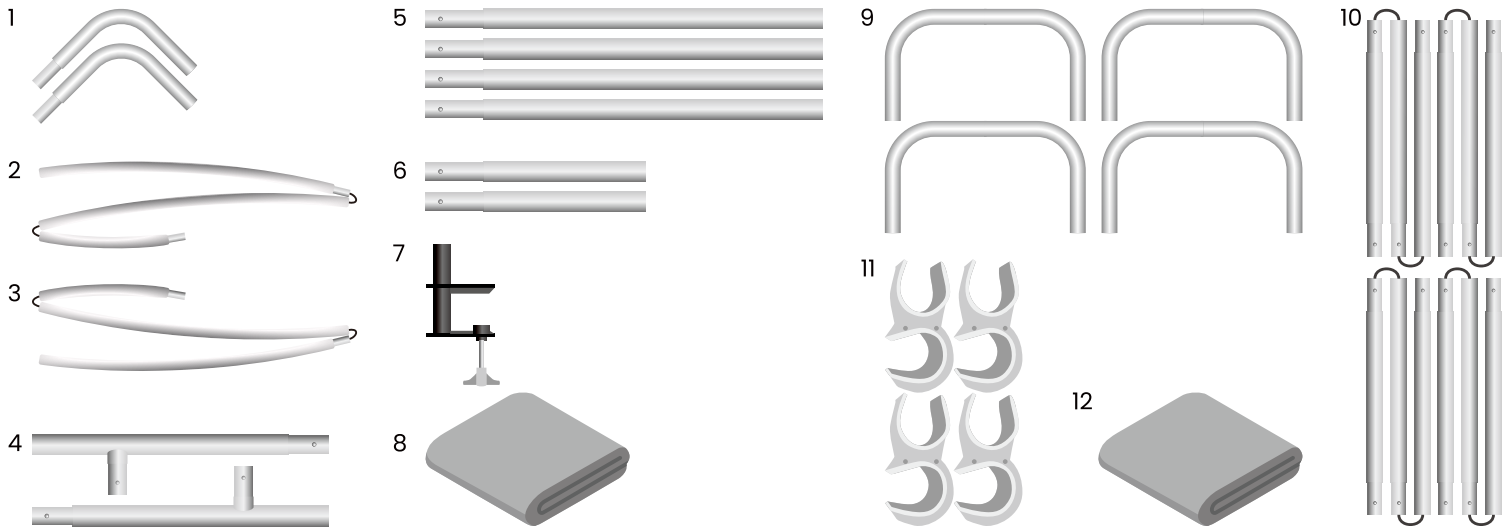
Main Frame:

1. Top Corner (x2)
2. Shock-corded Horizontal Top Pole
3. Shock-corded Horizontal Bottom Pole
4. Top Sides (x4)
5. Middle Sides (x2)

6. Bottom Sides (x4)
7. Table Clamps (x2)
8. Main Graphic

Sides:

9. Top or Bottom Ends (x4)
10. Shock-corded Sides (x4)
11. Side Clamps (x4)
12. Side Graphics (x2)

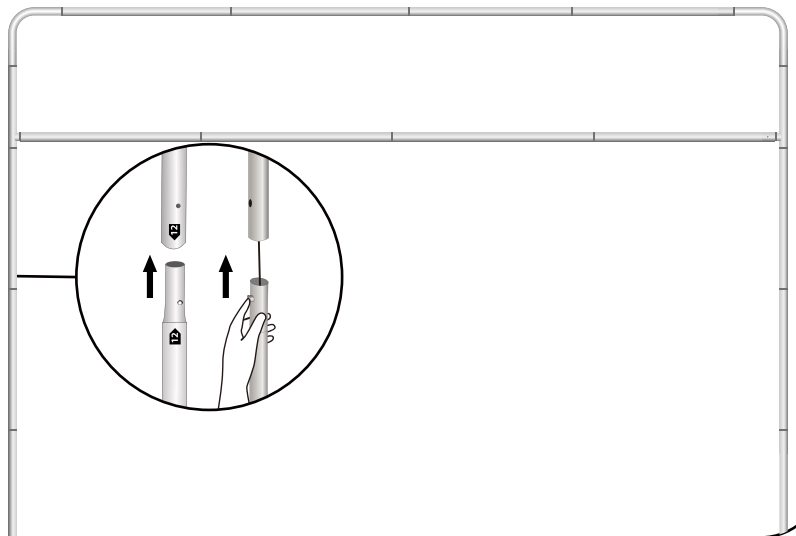
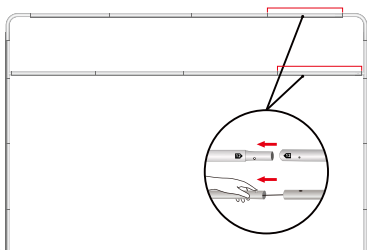


1

Main Frame

Separate the Main Frame parts from the Sides. Unfold the Shock-corded Poles and secure them in their extended positions. Connect all of the poles together by matching each number to its counterpart.

For 6ft tables remove the 2 poles shown in red



Storage & Care:

Store in a cool dry location. Clean hardware with a damp cloth. Machine wash the graphics in cold water on a gently cycle. Air dry only. Use a steamer for wrinkles. Never dry-clean.

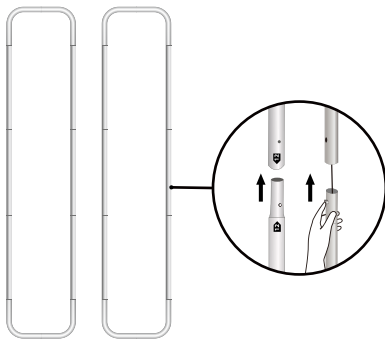
Round Arch

Assembly Instructions

2

Side Frames

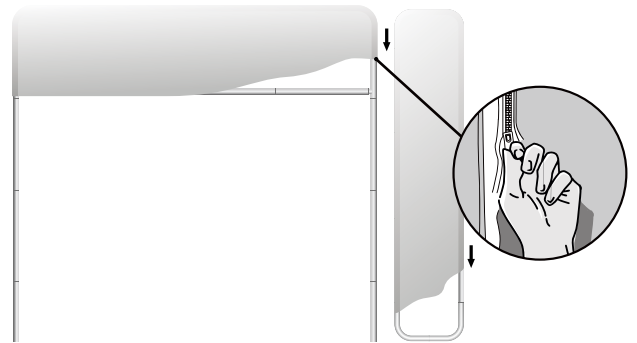
Construct the Sides in the same way by matching numbers and clicking push buttons into place.



3

Install The Graphics

Fit the Main Graphic to the Main Frame and the side graphics to the Side Frames. Zip them closed.



4

Mount the Table Clamps

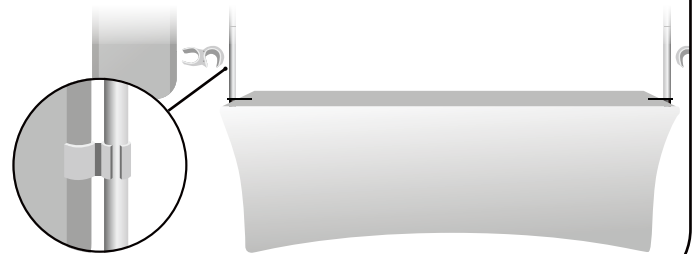
Mount the Table Clamps on the ends of the table by tightening the screws on their undersides. Once the clamps are secure, carefully lower the main frame onto them so that the Bottom Sides slide onto the black cylinders.



5

Side Clamps

Attach one side of each Side Clamp to the sides of the Main Frame. One goes directly under the graphic and one above the table Clamp. Carefully lift each of the Sides to be level with the main frame and attach them to the open ends of the Side Clamps.



Storage & Care:

Store in a cool dry location. Clean hardware with a damp cloth. Machine wash the graphics in cold water on a gently cycle. Air dry only. Use a steamer for wrinkles. Never dry-clean.