

# 20FT X 20FT BACKLIT "PREMIUM PARTITIONED" SEG TRADE SHOW DISPLAY

## ASSEMBLY INSTRUCTION



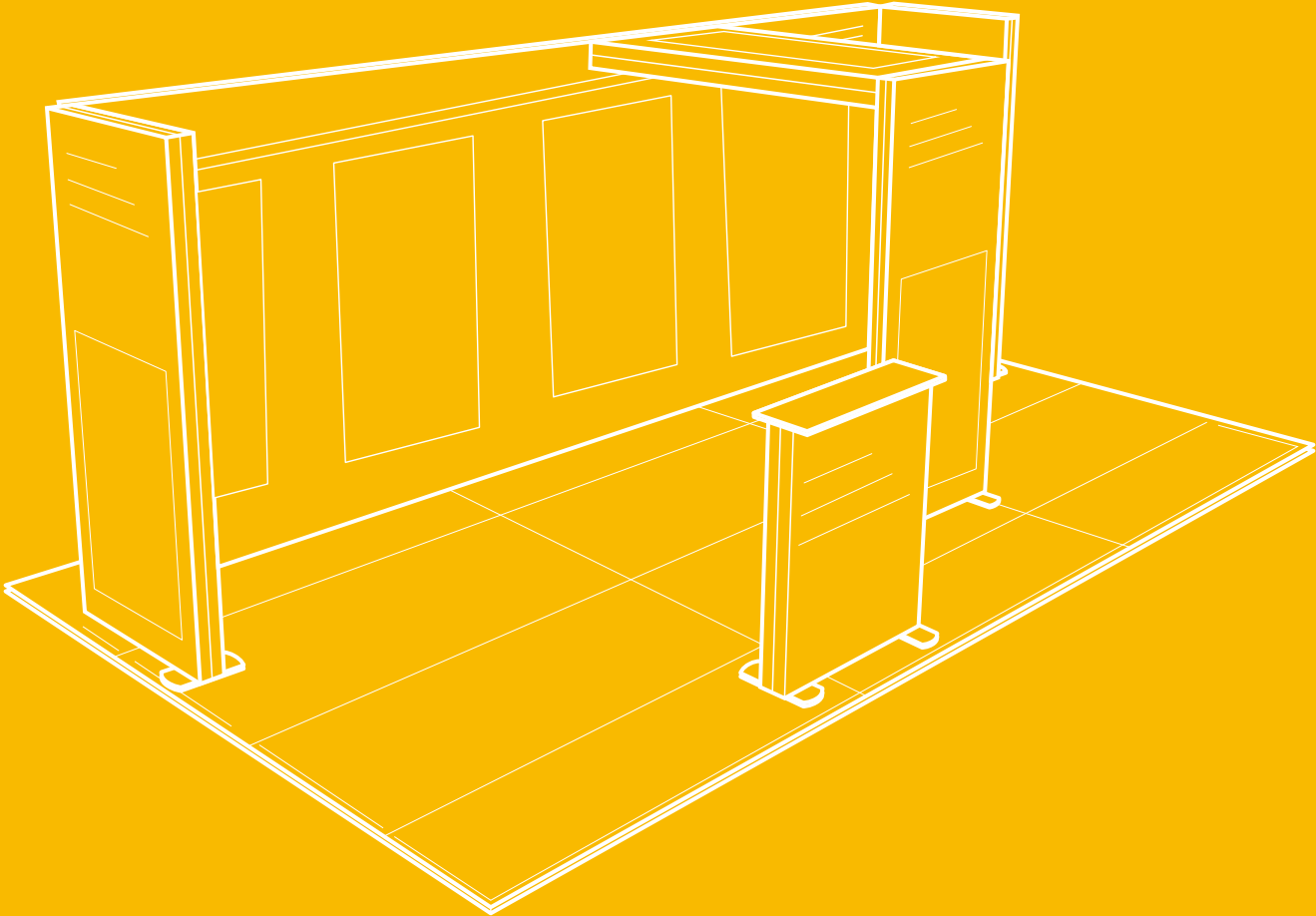
Indoor Display Solution



User Friendly



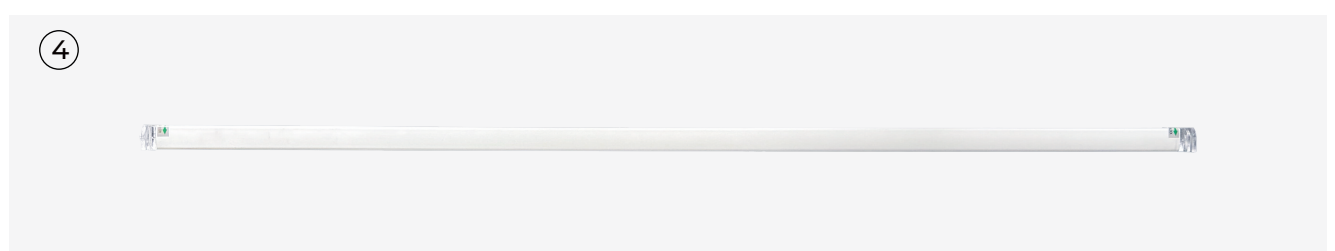
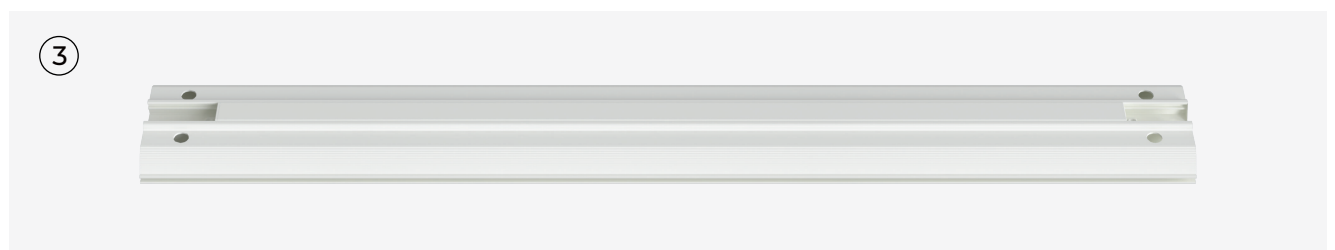
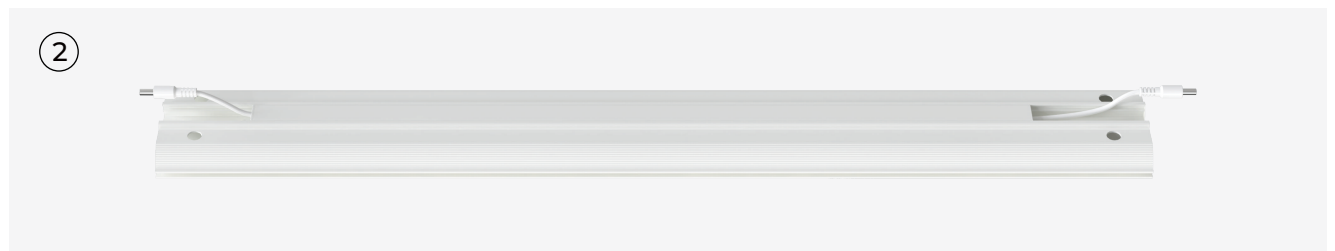
Cutting-Edge Design



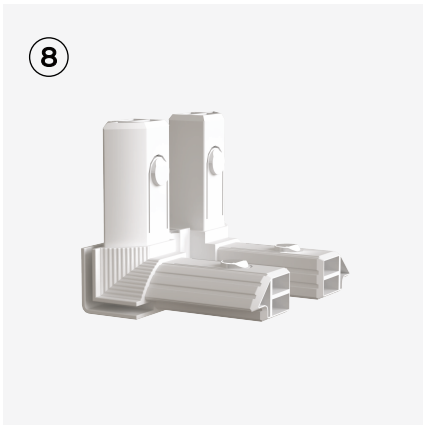
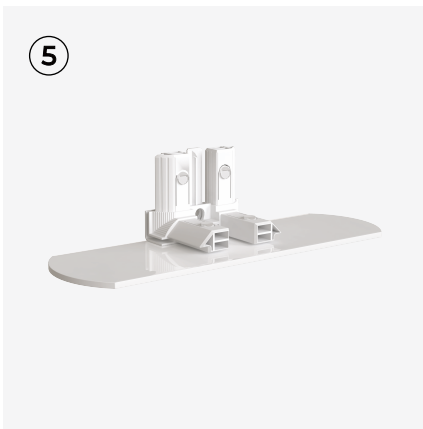
# Components.

---

- 01 — Profile with LED Stripe
- 02 — Side Profile with Cable
- 03 — Side Profile without Cable
- 04 — Inner Strut

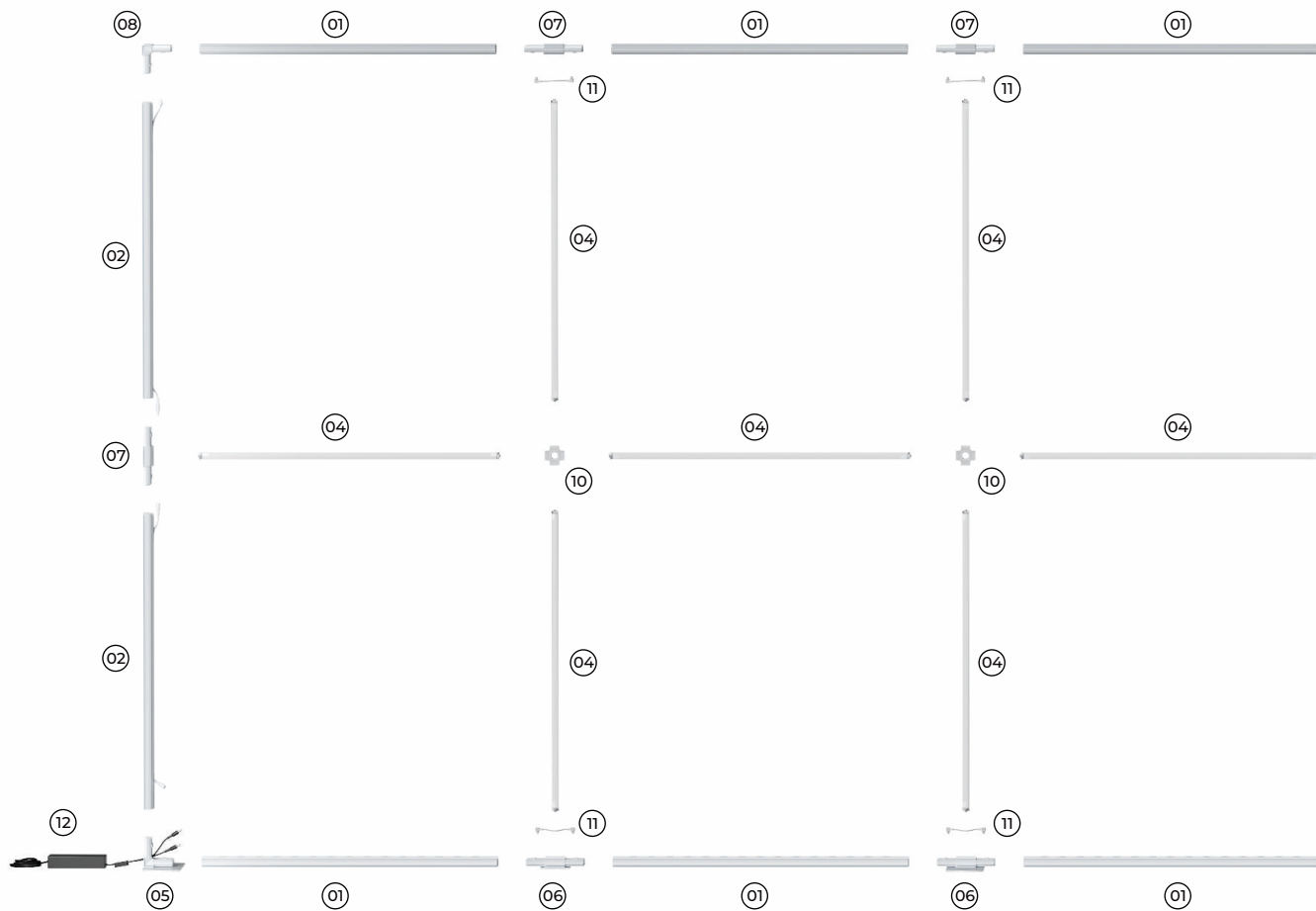


- 05** ————— Base Plate
- 06** ————— Bottom Connector
- 07** ————— Side Connector
- 08** ————— Corner Connector
- 09** ————— Middle Feet
- 10** ————— Middle Cross Connector
- 11** ————— Connecting Cable
- 12** ————— Power Supply with Device Plugin



# 20ft SEG Backlit Backwall Assembly Instruction

Applies to: 20ft x 8.2ft



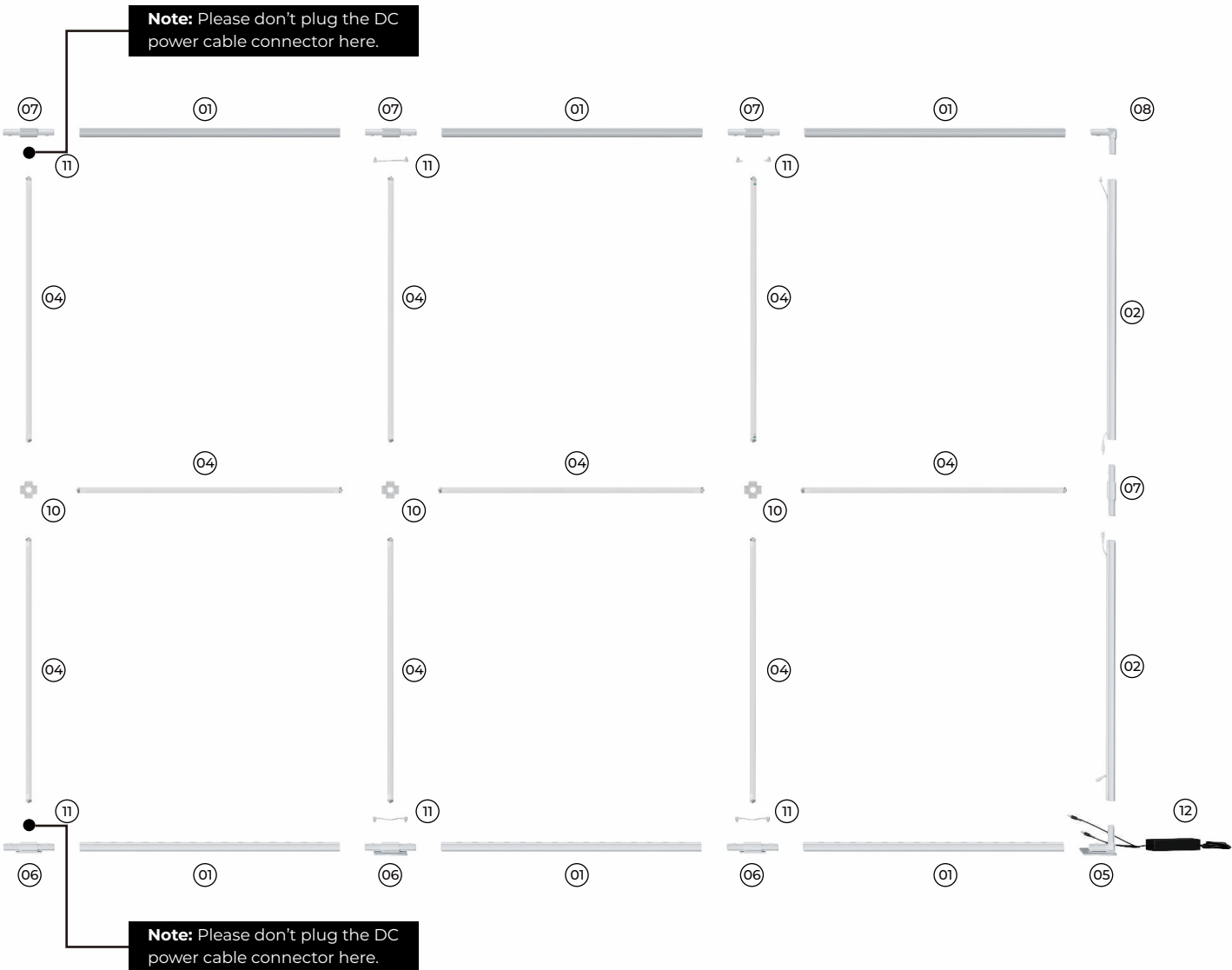
- |   |                                 |  |
|---|---------------------------------|--|
| <b>01</b> Profile with LED Stripe (x12) | <b>05</b> Base Plate (x2)       | <b>10</b> Middle Cross Connector (x5)          |
| <b>02</b> Profile with Cable (x4)       | <b>06</b> Bottom Connector (x3) | <b>11</b> Connecting Cable (x8)                |
| <b>03</b> Profile without Cable (x4)    | <b>07</b> Side Connector (x7)   | <b>12</b> Power Supply with Device Plugin (x2) |
| <b>04</b> Inner Strut (x16)             | <b>08</b> Corner Connector (x2) |  |

## Storage & Care:

Store in a cool dry location. Clean hardware with a damp cloth. Machine wash the graphics in cold water on a gently cycle. Air dry only. Use a steamer for wrinkles. Never dry-clean.

# 20ft SEG Backlit Backwall Assembly Instruction

Applies to: 20ft x 8.2ft



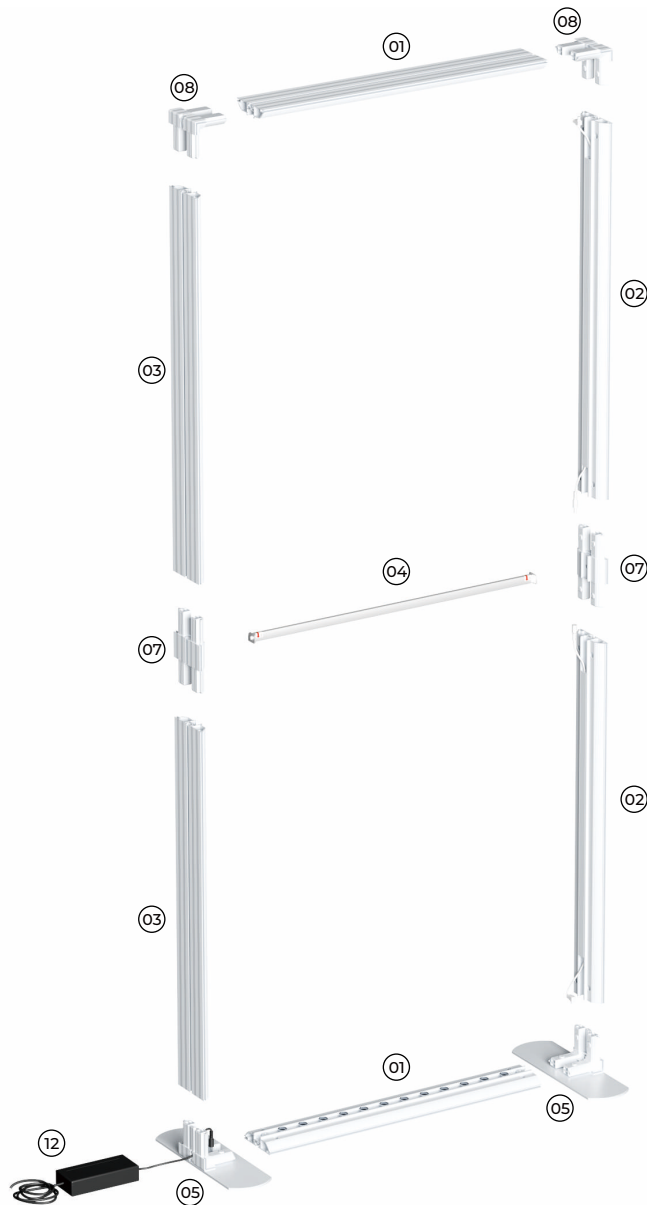
- |   |                                 |  |
|---|---------------------------------|--|
| <b>01</b> Profile with LED Stripe (x12) | <b>05</b> Base Plate (x2)       | <b>10</b> Middle Cross Connector (x5)          |
| <b>02</b> Profile with Cable (x4)       | <b>06</b> Bottom Connector (x3) | <b>11</b> Connecting Cable (x8)                |
| <b>03</b> Profile without Cable (x4)    | <b>07</b> Side Connector (x7)   | <b>12</b> Power Supply with Device Plugin (x2) |
| <b>04</b> Inner Strut (x16)             | <b>08</b> Corner Connector (x2) |  |

## Storage & Care:

Store in a cool dry location. Clean hardware with a damp cloth. Machine wash the graphics in cold water on a gently cycle. Air dry only. Use a steamer for wrinkles. Never dry-clean.

# 2.8ft SEG Backlit Backwall Assembly Instruction

Applies to: 2.8ft x 8.2ft



- |  |  |
|--|--|
| <b>01</b> Profile with LED Stripe (x2) | <b>05</b> Base Plate (x2)                    |
| <b>02</b> Profile with Cable (x2)      | <b>07</b> Side Connector (x2)                |
| <b>03</b> Profile without Cable (x2)   | <b>08</b> Corner Connector (x2)              |
| <b>04</b> Inner Strut (x1)             | <b>12</b> Power Supply with Device Plug (x2) |

## Storage & Care:

Store in a cool dry location. Clean hardware with a damp cloth. Machine wash the graphics in cold water on a gently cycle. Air dry only. Use a steamer for wrinkles. Never dry-clean.

# 10ft SEG Backlit Counter Assembly Instruction

Applies to: 3.3ft x 3.3ft



**01** Profile with LED Stripe (x2)

**02** Profile with Cable (x2)

**03** Profile without Cable (x2)

**05** Base Plate (x2)

**08** Corner Connector (x2)

**12** Power Supply with Device Plugin (x1)

**13** Tabletop Panel with LED Stripes (x1)

## Storage & Care:

Store in a cool dry location. Clean hardware with a damp cloth. Machine wash the graphics in cold water on a gently cycle. Air dry only. Use a steamer for wrinkles. Never dry-clean.